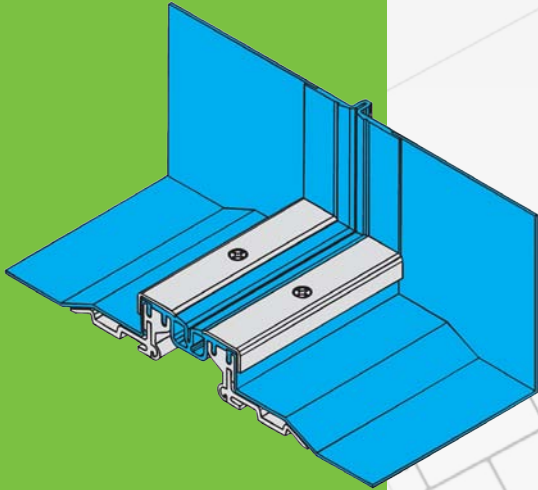
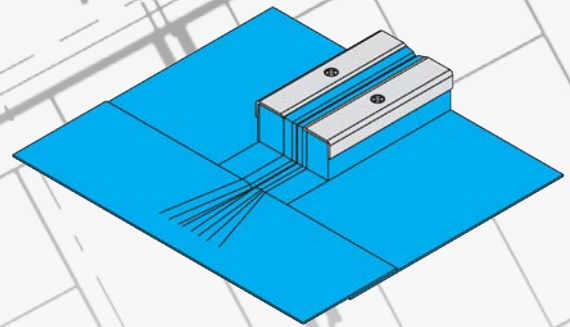


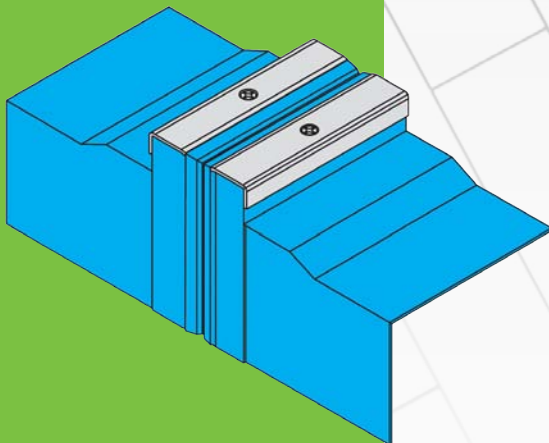
# Superspan Terminations & Intersections



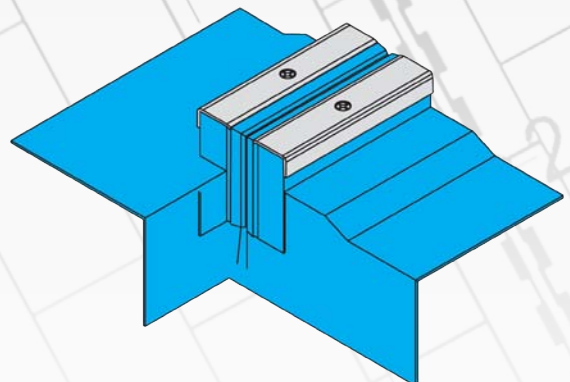
Foil end terminational upstand



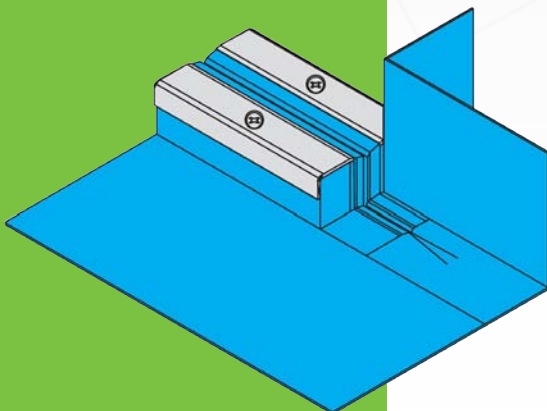
Foil end termination on concrete surface



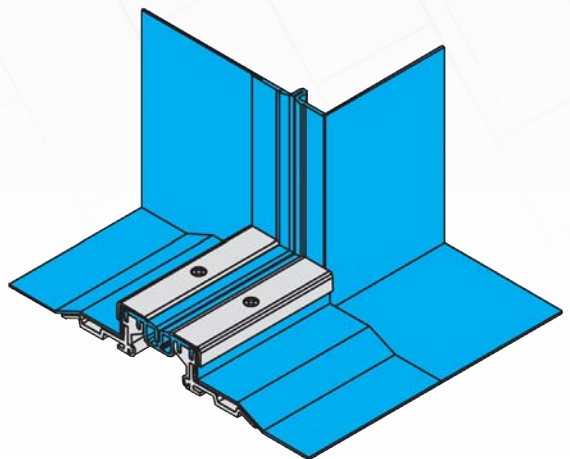
Foil end termination downstand



Foil end terminational upstand  
with corner connection

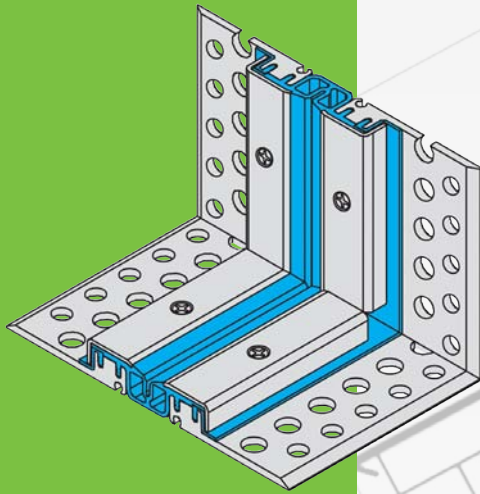


Foil end termination on concrete surface  
with wall connection

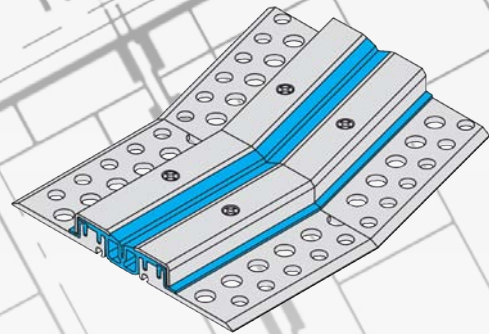


Foil end termination upstand  
with corner connection

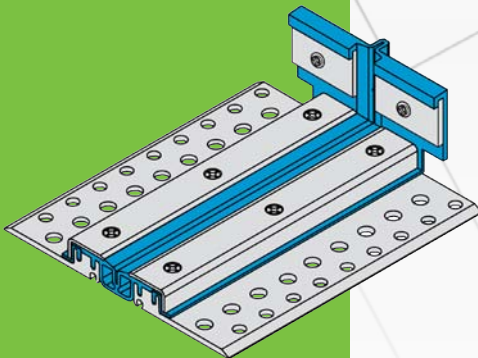
# Superspan Terminations & Intersections



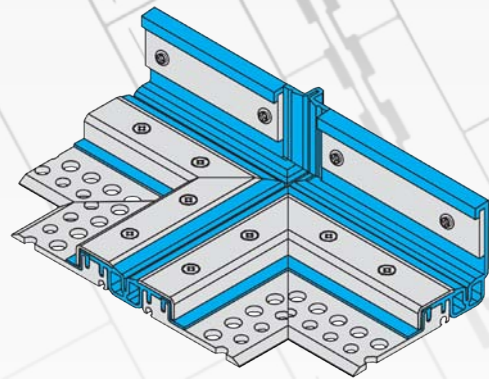
Upstand



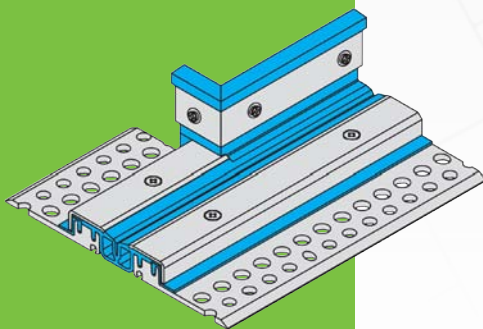
Slope end termination



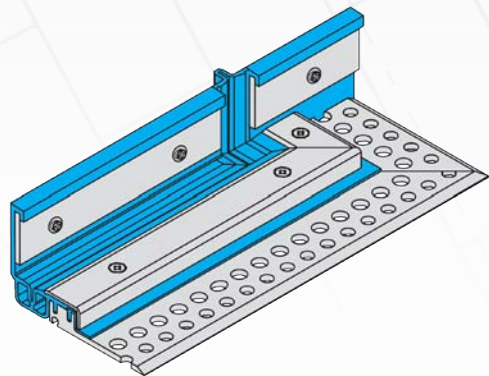
Upstand double E4



T-Piece with upstand



Change of profile  
(eg. on columns or walls)



Upstand, right-angle to joint

Whilst every care has been taken in the preparation of this information, no warranty is given or implied in connection with any recommendation or suggestion made herein or by our Representatives, Agents or Distributors. We reserve the right to modify specifications from time to time without prior notice. Users are advised to conduct their own tests in order to determine the suitability of the product for the intended purpose. All goods are supplied subject to standard Conditions of Sale which are available upon request.