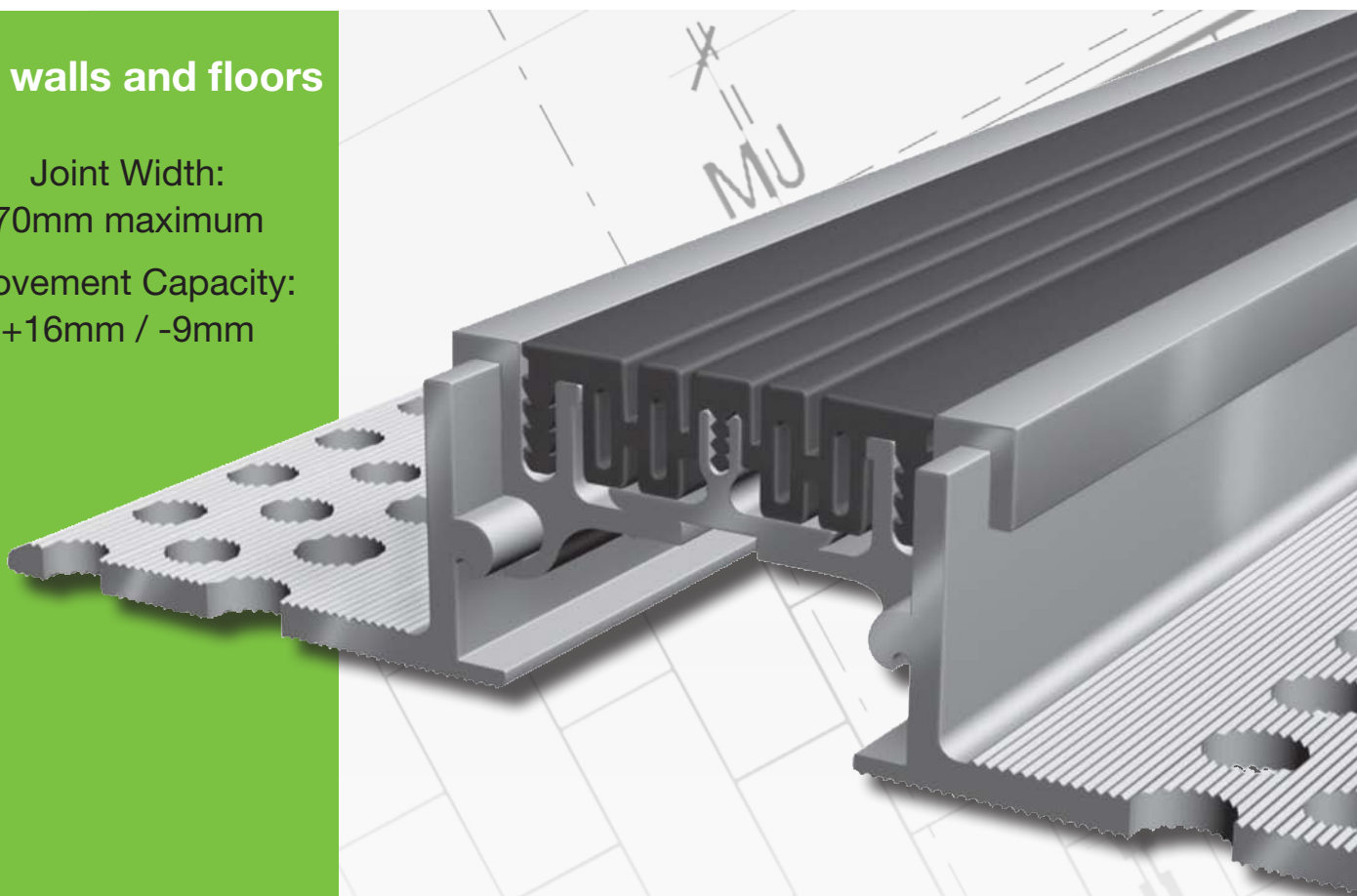


Interspan Series FP 70 Ni

For walls and floors

Joint Width:
70mm maximum

Movement Capacity:
+16mm / -9mm



Features

Insert can be supplied in a continuous length

- Insert replaceable

- S/S (Ni) top caps to profile leg

Profile	Joint width max. mm	Total movement mm	Visible width mm	Total width of profile mm	Installation height of profile mm	Load capacity private cars kN	Load capacity lorries (DIN1072) kN	Load capacity fork lift trucks (DIN 1072) kN
FP 70/2200 NI	70	25 +16/-9	78	210	22	30	300	not allowed
FP 70/3000 NI	70	25 +16/-9	78	210	31	30	300	not allowed
FP 70/4000 NI	70	25 +16/-9	78	210	41	30	300	not allowed
FP 70/5000 NI	70	25 +16/-9	78	210	51	30	300	not allowed
FP 70/6500 NI	70	25 +16/-9	78	210	66	30	300	not allowed
FP 70/7500 NI	70	25 +16/-9	78	210	76	30	300	not allowed
FP 70/8500 NI	70	25 +16/-9	78	210	86	30	300	not allowed

When specifying joint - please use full profile reference

compriband

Interspan Series FP 70 Ni

Product Information

Material

Cold drawn Aluminium with a flexible high quality elastomeric corrugated movement insert

Typical Uses

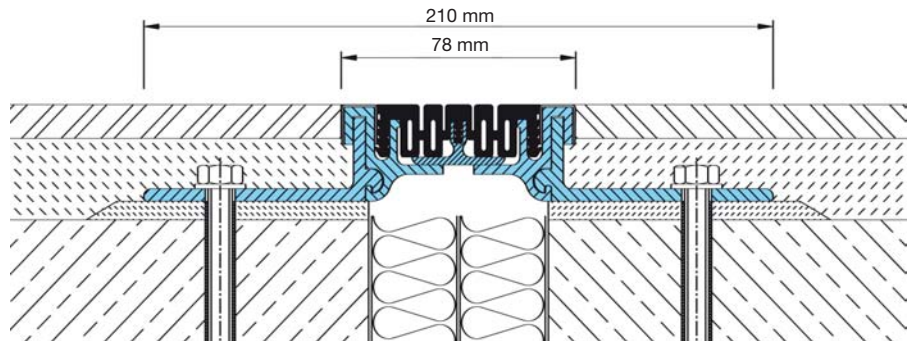
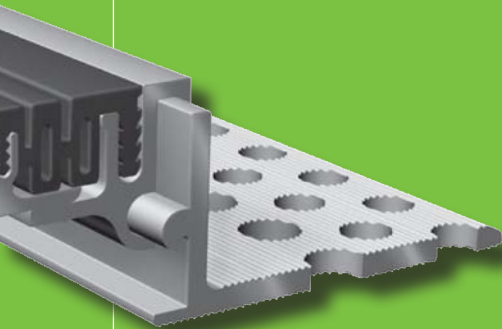
Libraries and residential homes

Profile Lengths

Standard profile length = 4 metres
Shorter lengths are available on request

Profile Options

- Black only
- Standard or staggered legs
- E3 & E4 side fix versions
- Combinations of the above



FP 70/3000 Ni

General Information

Fixings

Bedded and levelled on a 10mm epoxy mortar bed, mechanically fixed at 300mm symmetrical centres using FX01 fixing (chemical anchor) or M10 Multi Monti type fixing (concrete self tapping type bolt).

Additional sealant

A soft joint between the floor finish and the joint profile may be required to accommodate any local movement between the two. A suitable sealant for this would be Tremco Dymonic NT applied in a 6mm gap (max).

Maintenance

Periodic visual inspections should be carried out to ensure that no damage has occurred to the joints. Cleaning should be carried out using a mild detergent and water. If alternative cleaning chemicals or equipment are to be used, it is recommended that a suitability test should be carried out on a small section of the product in a non-prominent section of the joint.

For further advice or assistance, please contact Tremco illbruck on:

0191 419 0505

Whilst every care has been taken in the preparation of this information, no warranty is given or implied in connection with any recommendation or suggestion made herein or by our Representatives, Agents or Distributors. We reserve the right to modify specifications from time to time without prior notice. Users are advised to conduct their own tests in order to determine the suitability of the product for the intended purpose. All goods are supplied subject to standard Conditions of Sale which are available upon request.