

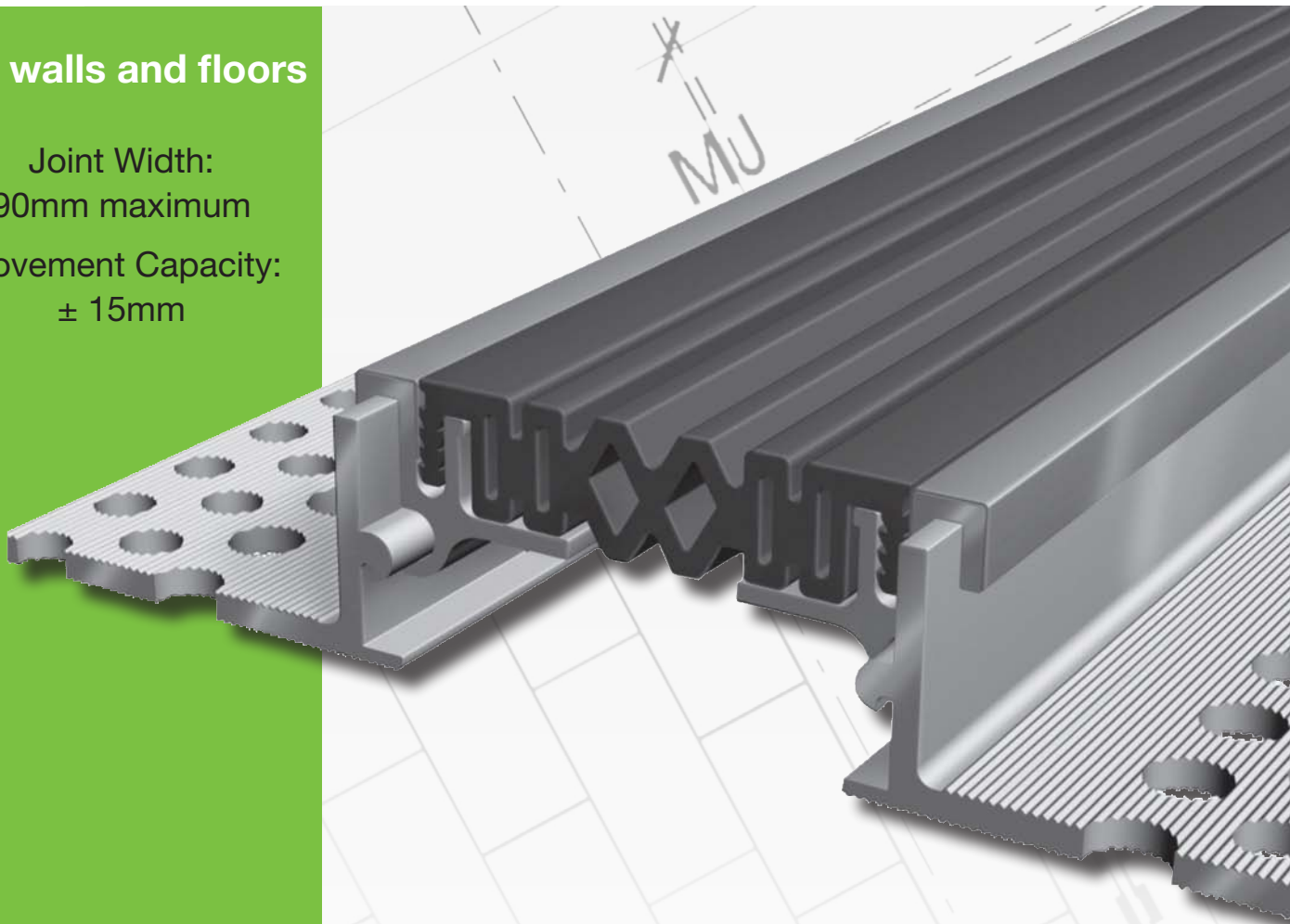


# Interspan Series FP 100 Ni

## For walls and floors

Joint Width:  
90mm maximum

Movement Capacity:  
 $\pm 15$ mm



## Features

Insert can be supplied in a  
continuous length

- Insert replaceable

- S/S (Ni) top caps to profile leg

Profile	Joint width max. mm	Total movement mm	Visible width mm	Total width of profile mm	Installation height of profile mm	Load capacity private cars kN	*Load capacity lorries (DIN1072) kN	Load capacity fork lift trucks (DIN 1072) kN
FP 100/2200 NI	90	30 $\pm$ 15	102	234	22	30	300	not allowed
FP 100/3000 NI	90	30 $\pm$ 15	102	234	31	30	300	not allowed
FP 100/4000 NI	90	30 $\pm$ 15	102	234	41	30	300	not allowed
FP 100/5000 NI	90	30 $\pm$ 15	102	234	51	30	300	not allowed
FP 100/6500 NI	90	30 $\pm$ 15	102	234	66	30	300	not allowed
FP 100/7500 NI	90	30 $\pm$ 15	102	234	76	30	300	not allowed
FP 100/8500 NI	90	30 $\pm$ 15	102	234	86	30	300	not allowed

When specifying joint - please use full profile reference

\* not designed for permanent use

**compriband**

# Interspan Series FP 100 Ni

## Product Information

### Material

Cold drawn aluminium with a flexible high quality elastomeric corrugated movement insert, the top of the normally visible aluminium profile leg has a U-shaped cap made of Stainless steel (Ni) to offer an alternative finish to the standard leg

### Typical Uses

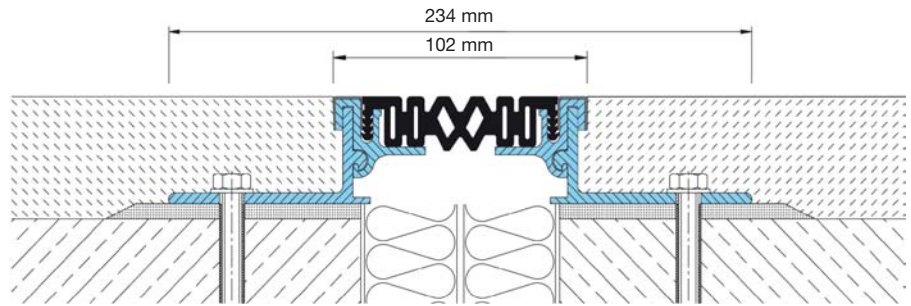
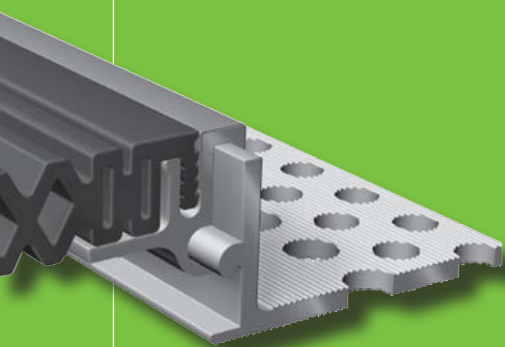
Offices and schools

### Profile Lengths

Standard profile length = 4 metres  
Shorter lengths are available on request

### Profile Options

- Black and grey
- Standard or staggered legs
- E3 & E4 side fix versions
- Combinations of the above



FP 100/4000 Ni

## General Information

### Fixings

Bedded and levelled on a 10mm epoxy mortar bed, mechanically fixed at 300mm symmetrical centres using FX01 fixing (chemical anchor) or M10 Multi Monti type fixing (concrete self tapping type bolt).

### Additional sealant

A soft joint between the floor finish and the joint profile may be required to accommodate any local movement between the two. A suitable sealant for this would be Tremco Dymonic NT applied in a 6mm gap (max).

### Maintenance

Periodic visual inspections should be carried out to ensure that no damage has occurred to the joints. Cleaning should be carried out using a mild detergent and water. If alternative cleaning chemicals or equipment are to be used, it is recommended that a suitability test should be carried out on a small section of the product in a non-prominent section of the joint.

For further advice or assistance, please contact Tremco illbruck on:

**0191 419 0505**

Whilst every care has been taken in the preparation of this information, no warranty is given or implied in connection with any recommendation or suggestion made herein or by our Representatives, Agents or Distributors. We reserve the right to modify specifications from time to time without prior notice. Users are advised to conduct their own tests in order to determine the suitability of the product for the intended purpose. All goods are supplied subject to standard Conditions of Sale which are available upon request.

a brand of

**TREMCO**  
**illbruck**

An **RPM** Company

Tremco illbruck Limited, Bentall Business Park, Washington, Tyne & Wear NE37 3JD  
Tel: 0191 419 0505 Fax: 0191 419 2200  
Email: sales@tremco-illbruck.co.uk Website: www.tremco-illbruck.com

Page 2 of 2  
ISSUE 1 - 01/01/2008