

# Interspan All-Metal Series FS 99

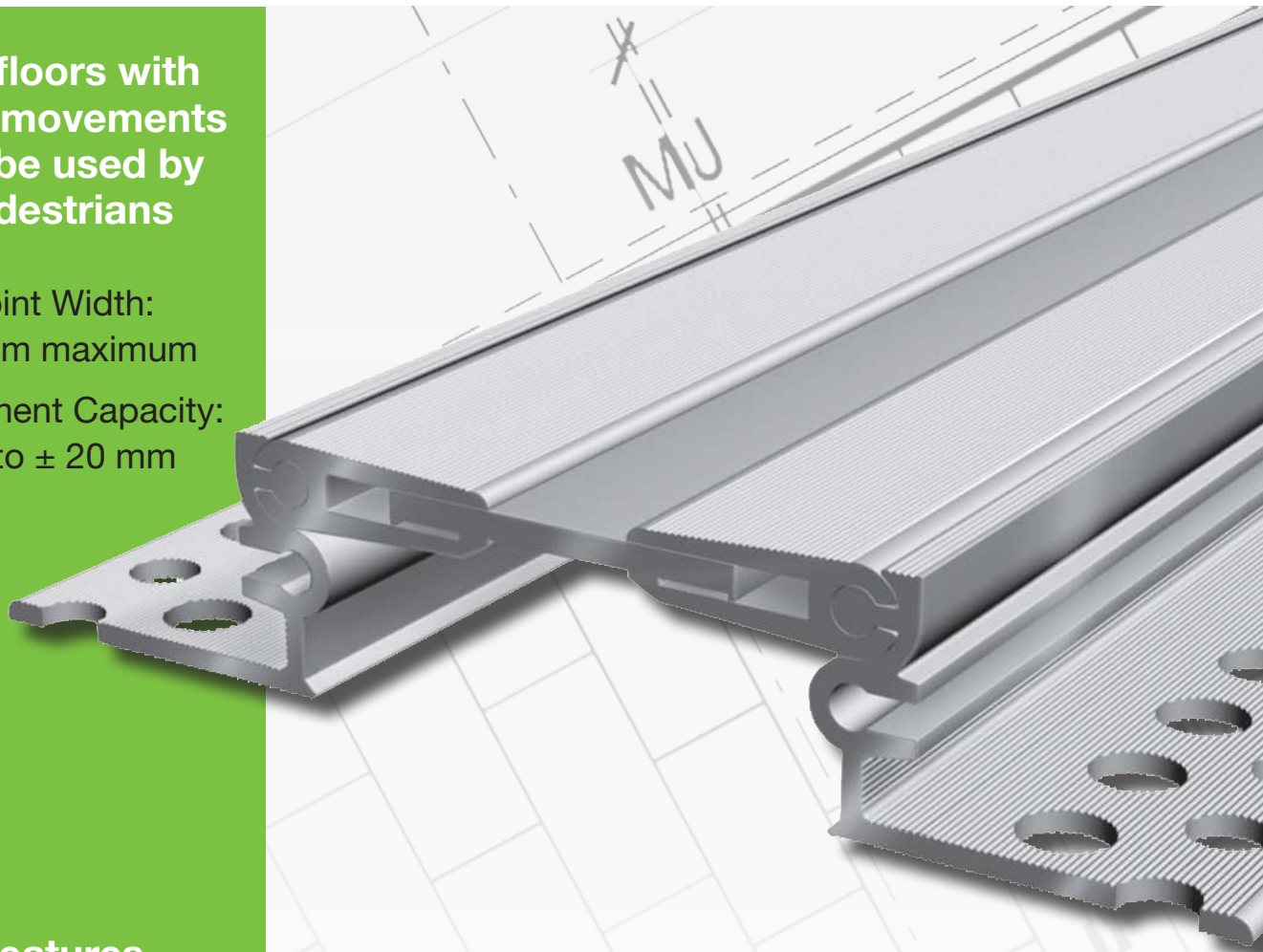
For floors with  
large movements  
- to be used by  
pedestrians

Joint Width:  
70 mm maximum

Movement Capacity:  
up to  $\pm 20$  mm

## Features

- Solid metal - profile hard wearing and long lasting
- Good skid resistance given by striated surface
- Visible surface shows no gap to avoid dirt accumulation
- Profile absorbs movement in three directions



Profile	Joint width mm	Total movement mm	Visible width of profile mm	Total width of profile mm	Installation height mm	Load capacity
FS 99/2000	70	40 $\pm$ 20	99	186	20	Pedestrians, light vehicles on request
FS 99/3500	70	40 $\pm$ 20	99	186	35	Pedestrians, light vehicles on request
FS 99/5000	70	40 $\pm$ 20	99	186	50	Pedestrians, light vehicles on request

When specifying joint - please use full profile reference

**compriband**

# Interspan All-Metal Series FS 99

## Product Information

### Material

Cold drawn aluminium

### Typical Uses

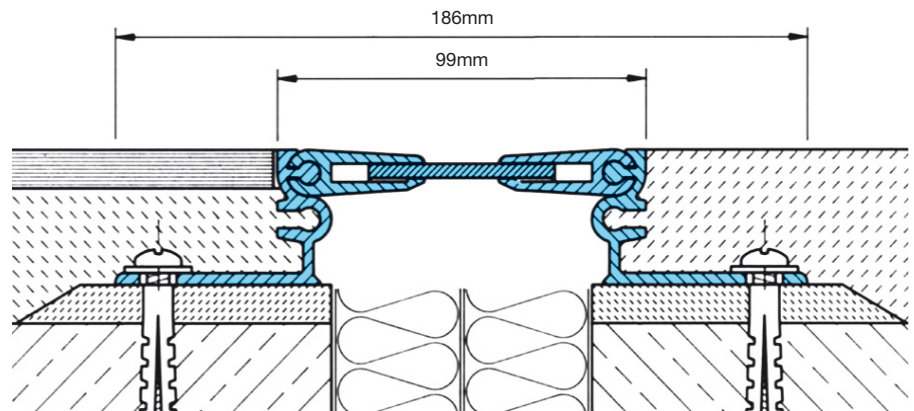
Pedestrian areas

### Profile Lengths

Standard profile length = 4 metres  
Shorter lengths are available on request

### Profile Options

- Standard or staggered legs
- E3 & E4 side fix versions
- FSN top fix version
- Combinations of the above



FS 99/3500

## General Information

### Fixings

Bedded and levelled on a 10mm epoxy mortar bed, mechanically fixed at 300mm symmetrical centres using FX01 fixing (chemical anchor) or M10 Multi Monti type fixing (concrete self tapping type bolt.)

### Additional sealant

A soft joint between the floor finish and the joint profile may be required to accommodate any local movement between the two. A suitable sealant for this would be Tremco Dymonic NT applied in a 6mm gap (max).

### Maintenance

Periodic visual inspections should be carried out to ensure that no damage has occurred to the joints. Cleaning should be carried out using a mild detergent and water. If alternative cleaning chemicals or equipment are to be used, it is recommended that a suitability test should be carried out on a small section of the product in a non-prominent section of the joint.

For further advice or assistance, please contact Tremco illbruck on:

**0191 419 0505**

Whilst every care has been taken in the preparation of this information, no warranty is given or implied in connection with any recommendation or suggestion made herein or by our Representatives, Agents or Distributors. We reserve the right to modify specifications from time to time without prior notice. Users are advised to conduct their own tests in order to determine the suitability of the product for the intended purpose. All goods are supplied subject to standard Conditions of Sale which are available upon request.